

INSTALLATION INSTRUCTIONS for TYPE NON-IC HOUSING for NEW CONSTRUCTION APPLICATIONS 2.5in ROUND or SQUARE RECESSED HOUSINGS

WARNING: RISK OF FIRE AND ELECTRICAL SHOCK. FIXTURE MUST BE INSTALLED BY A QUALIFIED ELECTRICIAN ONLY IN ACCORDANCE WITH NATIONAL, LOCAL BUILDING AND ELECTRICAL CODES. DISCONNECT POWER AT ELECTRICAL PANEL BEFORE SERVICING.

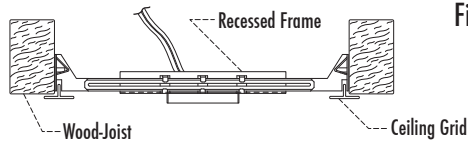


Figure A

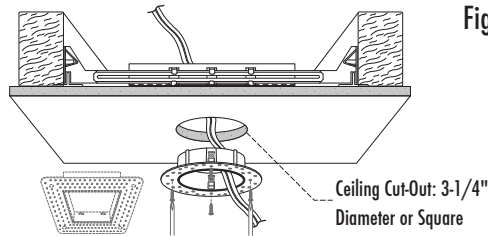


Figure B

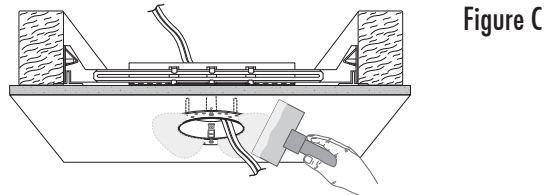


Figure C

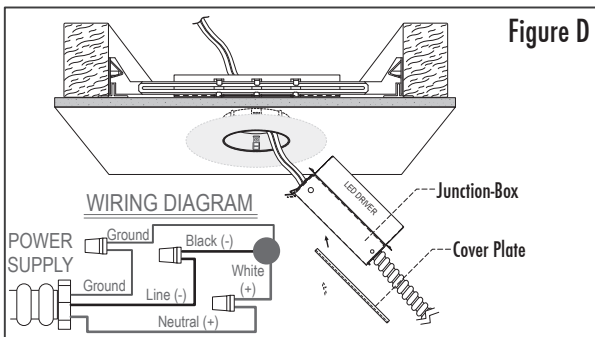


Figure D

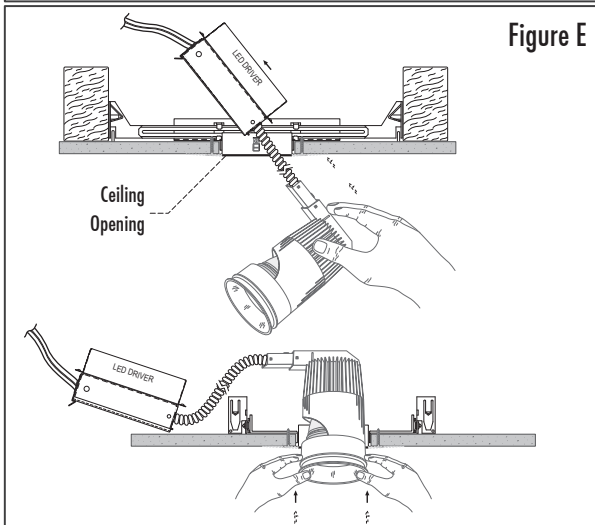


Figure E

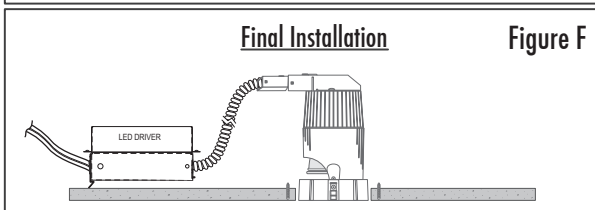


Figure F

INSTALL AND USE THIS LUMINAIRE FOLLOWING YOUR LOCAL ELECTRICAL CODES AND REGULATIONS.

PREPARATION:

- 1). Read and understand instructions completely before installing this luminaire. If you are unfamiliar with electrical wiring have a qualified licensed electrician install this luminaire for you.
- 2). Before proceeding the installation, be sure that the ceiling construction follows the proper requirements. See (FIG. B) as per your reference.

CAUTION!

Ceiling insulation must be kept a minimum of 3" away from the sides of the housing. No insulation allowed on the top. Install housing at a minimum of 1/2" away from combustible material such as wooden ceiling joists, sub-flooring or roofing. (FIG. E).

A) INSTALL RECESSED FRAME:

- 1). Mount frame to ceiling grid or wood joist using the hanger bars (provided). Ensure frame opening is in desired location by adjusting the hanger bars (see FIG. A).

B) CEILING CUT-OUT:

- 1). Install ceiling material and make hole, trace circle or square on ceiling in desired location. **Cut hole accurately at 3.25" Diameter or Square** (see FIG. B).
- 2). Install Plastering Trimless Ring to ceiling opening by screws (by others) (see FIG. B).

C) PLASTER TRIMLESS RING:

- 1). Apply plastering compound around the Trimless Ring and smooth it outward on ceiling surface to create a trimless appearance finish, (see FIG. C).

NOTE: Clean any plastering compound left into the Trimless opening.

D) ELECTRICAL CONNECTIONS:

- 1). **WARNING-** Before starting the wire connections, disconnect the power by turning off the circuit breaker or removing the fuse at the fuse panel. Turning the power off using the light switch is not sufficient to prevent electrical shock.
- 2). This luminaire must be connected with supply wire rated at 90°C. Most dwellings built before 1985 have supply wire rated at 60°C; consult a qualified electrician before installing this luminaire.
- 3). Connect the power source to the luminaire junction box. Then, Make power Connections, (see FIG. D) Wiring Diagram use twist type wire connectors (by others) suitable for the size, type and number of wires.
- 4). After completing the wiring (be sure the wires are placed within the wiring box), replace cover plate (see FIG. D).

E) INSTALL LUMINAIRE HOUSING:

- 1). Insert luminaire housing into the ceiling opening, (see FIG. E).
- 2). Insert the Trim into the Opening and push evenly up until the clips will hold the Trim in place, (see FIG. E).

F) FINAL INSTALLATION:

- 1). (see FIG. E).

WARNING:



RISK OF FIRE AND ELECTRICAL SHOCK. FIXTURE MUST BE INSTALLED BY A QUALIFIED ELECTRICIAN ONLY IN ACCORDANCE WITH NATIONAL, LOCAL BUILDING AND ELECTRICAL CODES. DISCONNECT POWER AT ELECTRICAL PANEL BEFORE SERVICING.

INSTALLATION INSTRUCTIONS TYPE NON-IC HOUSING for EXISTING CEILING APPLICATIONS

2.5in ROUND or SQUARE RECESSED HOUSINGS

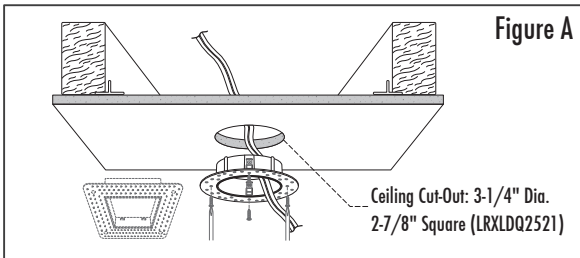


Figure A

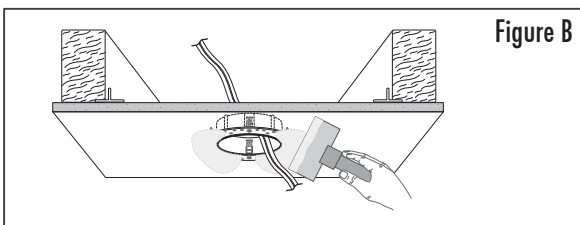


Figure B

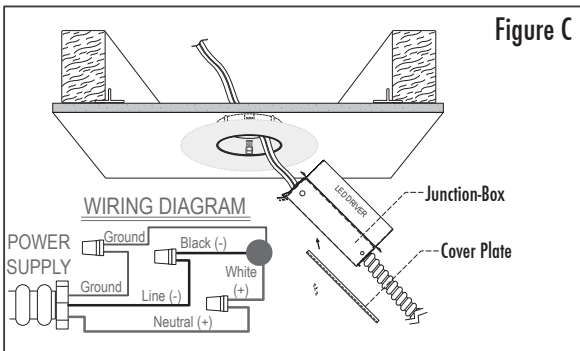


Figure C

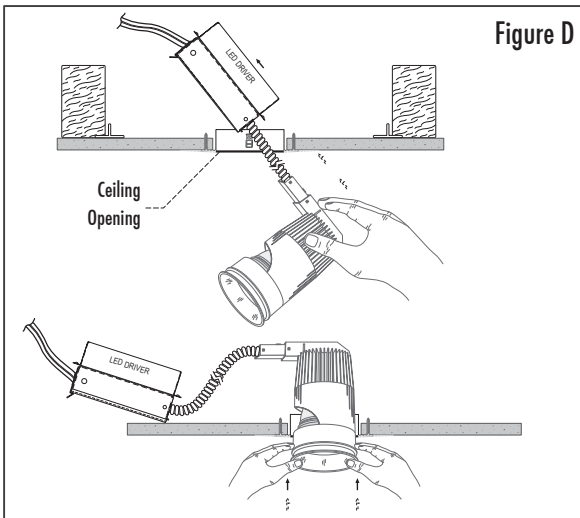


Figure D

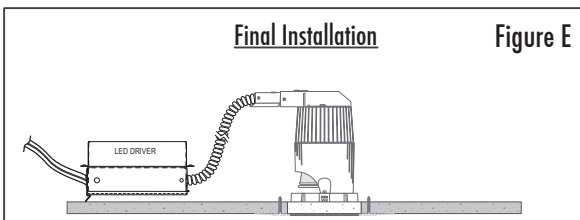


Figure E

INSTALL AND USE THIS LUMINAIRE FOLLOWING YOUR LOCAL ELECTRICAL CODES AND REGULATIONS.

PREPARATION:

- 1). Read and understand instructions completely before installing this luminaire. If you are unfamiliar with electrical wiring have a qualified licensed electrician install this luminaire for you.
- 2). Before proceeding the installation, be sure that the ceiling construction follows the proper requirements. See (FIG. B) as per your reference.

CAUTION!

Ceiling insulation must be kept a minimum of 3" away from the sides of the housing. No insulation allowed on the top. Install housing at a minimum of 1/2" away from combustible material such as wooden ceiling joists, sub-flooring or roofing. (FIG. E).

A) CEILING CUT-OUT:

- 1). Trace circle or square on ceiling in desired location.

Cut hole accurately at 3.25" Dia. or 2.87" Square (see 1G. A).

- 2). Install Plastering Trimless Ring to ceiling opening by screws (by others) (see FIG. A).

B) PLASTER TRIMLESS RING:

- 1). Apply plastering compound around the Trimless Ring and smooth it outward on ceiling surface to create a trimless appearance finish, (see FIG. B).

NOTE: Clean any plastering compound left into the Trimless opening.

C) ELECTRICAL CONNECTIONS:

- 1). **WARNING-** Before starting the wire connections, disconnect the power by turning off the circuit breaker or removing the fuse at the fuse panel. Turning the power off using the light switch is not sufficient to prevent electrical shock.
- 2). This luminaire must be connected with supply wire rated at 90°C. Most dwellings built before 1985 have supply wire rated at 60°C; consult a qualified electrician before installing this luminaire.
- 3). Connect the power source to the luminaire junction box. Then, Make power Connections, (see FIG. C) Wiring Diagram use twist type wire connectors (by others) suitable for the size, type and number of wires.
- 4). After completing the wiring (be sure the wires are placed within the wiring box), replace cover plate (see FIG. C).

D) INSTALL LUMINAIRE HOUSING:

- 1). Insert luminaire housing into the ceiling opening, (see FIG. D).
- 2). Insert the Trim into the Opening and push evenly up until the clips will hold the Trim in place, (see FIG. D).

E) FINAL INSTALLATION:

- 1). (see FIG. E).

INSTALLATION INSTRUCTIONS TYPE NON-IC HOUSING for WOOD CEILING APPLICATIONS 2.5in SQUARE RECESSED WOOD CEILING

WARNING:



RISK OF FIRE AND ELECTRICAL SHOCK. FIXTURE MUST BE INSTALLED BY A QUALIFIED ELECTRICIAN ONLY IN ACCORDANCE WITH NATIONAL, LOCAL BUILDING AND ELECTRICAL CODES. DISCONNECT POWER AT ELECTRICAL PANEL BEFORE SERVICING.

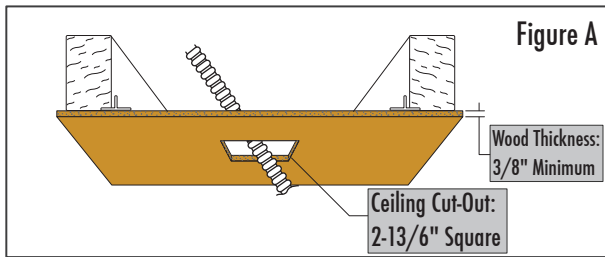


Figure A

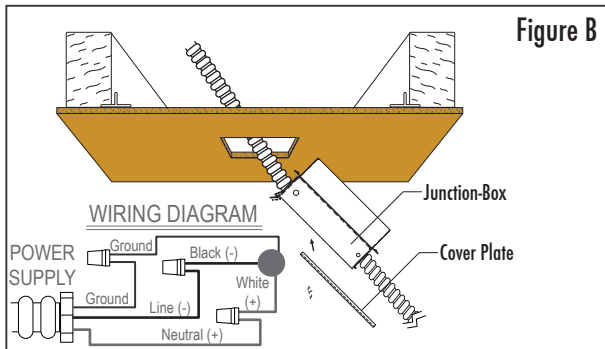


Figure B

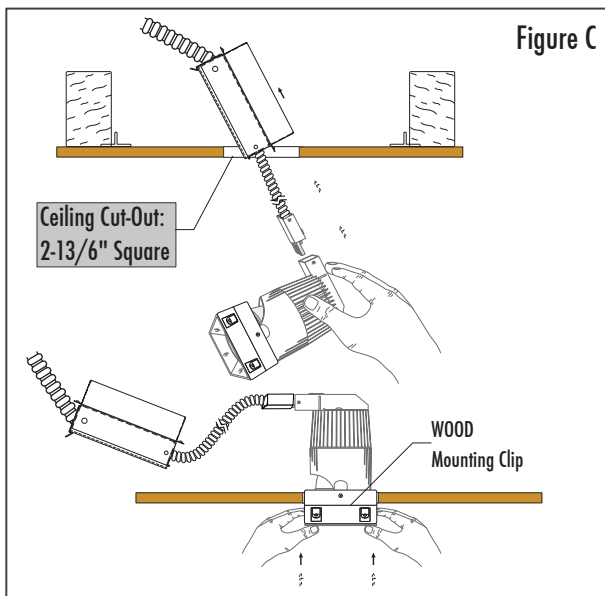


Figure C

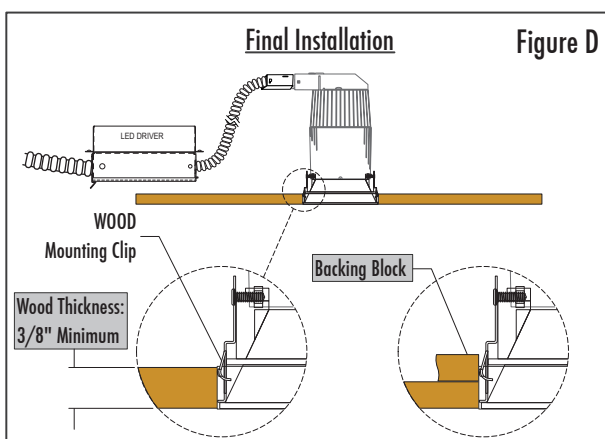


Figure D

INSTALL AND USE THIS LUMINAIRE FOLLOWING YOUR LOCAL ELECTRICAL CODES AND REGULATIONS.

PREPARATION:

- 1). Read and understand instructions completely before installing this luminaire. If you are unfamiliar with electrical wiring have a qualified licensed electrician install this luminaire for you.
- 2). Before proceeding the installation, be sure that the ceiling construction follows the proper requirements. See (FIG. A & D) as per your reference.

CAUTION!

Ceiling insulation must be kept a minimum of 3" away from the sides of the housing. No insulation allowed on the top. Install housing at a minimum of 1/2" away from combustible material.

A) CEILING CUT-OUT:

- 1). Trace square on ceiling in desired location.

Cut hole accurately at 2-13/16" (2.81") Square. See FIG. A

NOTE: For ceiling panels with less than the minimum thickness, backing blocks (By others) can be glued into place. See FIG. D

B) ELECTRICAL CONNECTIONS:

- 1). **WARNING-** Before starting the wire connections, disconnect the power by turning off the circuit breaker or removing the fuse at the fuse panel. Turning the power off using the light switch is not sufficient to prevent electrical shock.
- 2). This luminaire must be connected with supply wire rated at 90° C. Most dwellings built before 1985 have supply wire rated at 60° C; consult a qualified electrician before installing this luminaire.
- 3). Connect the power source to the luminaire junction box. Then, Make power Connections, (see FIG. B) Wiring Diagram use twist type wire connectors (by others) suitable for the size, type and number of wires.
- 4). After completing the wiring (be sure the wires are placed within the wiring box), replace cover plate. See FIG. B

C) INSTALL LUMINAIRE HOUSING:

- 1). Connect the Trim Assembly to Driver Quick Connector. See FIG. C
- 2). Insert luminaire housing into the ceiling opening. See FIG. C
- 3). Push Trim Assembly evenly into the Opening fully to be flashed with Wood Surface. See FIG. C

E) FINAL INSTALLATION:

- 1). (see FIG. D).